

PHILIPS

Lighting



Xitanium Outdoor LED Drivers Programmable

Xitanium 150W 0.1-1.05A Prog+ sXt

Product data

General Information

Constant light output	Programmable
Number of products on MCB (16 A type B) (max.)	11

Operating and Electrical

Input frequency	50 to 60 Hz
Total harmonic distortion IEC (max.)	20 %
Output current ripple (nom.)	30 %
Maximum efficiency	92 %
Power factor 100% load (min.)	0.98
Output current (nom.)	100-1050 mA
Output current tolerance (max.)	5 %
Output current tolerance (min.)	-5 %
Input voltage (AC)	120-277 V
Power factor 50% load (min.)	0.96
Earth leakage current (max.)	0.7 mA
Input current (max.)	720 mA
Input power (nom.)	167 W
Inrush current peak (max.)	110 A
Output power (nom.)	75-150 W
Output voltage	70-148 V
Inrush current width to 50% of peak	150 μ s

Wiring

Control wire length	500 mm
Output wire length	500 mm
Control wire cross section (nom.)	0.82 mm ²
Output wire cross section (nom.)	0.82 mm ²
Input Wire Cross Section	0.82 mm ²

Temperature

T ambient (max.)	55 °C
T ambient (min.)	-40 °C
T case lifetime (nom.)	70 °C
T-Case maximum (max.)	80 °C
Temperature protection module	Programmable
T-Case switch off (nom.)	87 °C

Controls and Dimming

Control interface	1-10V/AmpDim/DALI/Dynadimmer
Dimming range	100-10 %
Lumistep dimming time	-
Lumistep dimming time after midpoint	-

Mechanical and Housing

Colour of the Housing	Black
-----------------------	-------

Xtitanium Outdoor LED Drivers Programmable

Approval and Application

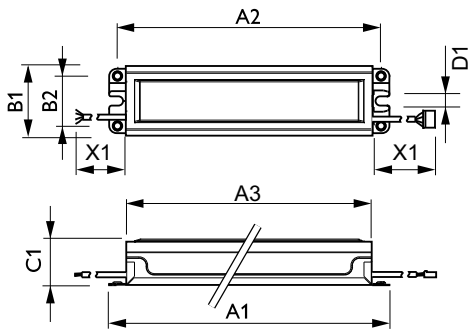
Surge protection (common/differential)	4/4 kV
IP classification	-
Isolation classification	Class II
Approval marks	ENEC certificate CE marking RoHS compliance

Product Data

Full product code	871829121198300
-------------------	-----------------

Order product name	Xtitanium 150W 0.1-1.05A Prog+ sXt
EAN/UPC – product	8718291211983
Order code	929000709003
Numerator – quantity per pack	1
Numerator – packs per outer box	10
Material no. (12NC)	929000709003
Net weight (piece)	1.257 kg

Dimensional drawing



Xtitanium 150W 0.1-1.05A Prog+ sXt

Product	D1	A2	B2	C1	A1	A3	X1	B1
Xtitanium 150W 0.1-1.05A Prog+ sXt	8.0 mm	226.2 mm	42.9 mm	37.1 mm	240.5 mm	211.1 mm	500 mm	59.1 mm

