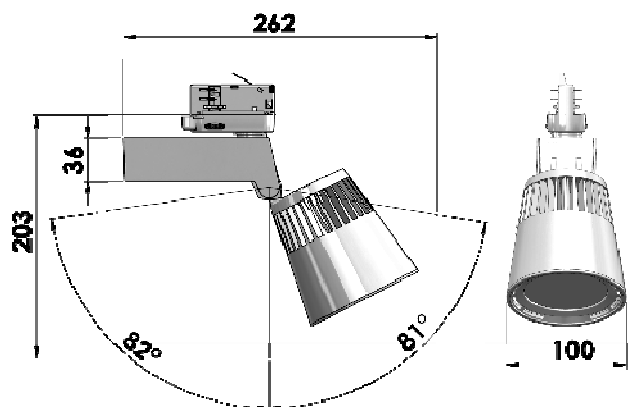


# ECO CLEAN

Input Power	LED-Module *Citizen 6-Gen	Color Consistency	Installation Type	Material	Warranty	Beam Angles	Luminaire Color
220 – 240V	CRI 80+ 3000K, 4000K, 5000K  CRI 90+ 2700K B.BBL, 3000K B.BBL, 3500K B.BBL, 4000K	2-Step MacAdam	NoA & Most 3 & 1 -phase Tracks	Powder Painted Die-Cast Aluminum	50 000h Or 5 Years	1206 COB: S 15° NFL 20° FL 30° WFL 50°	White (RAL 9016)  Silver (Ca. RAL 9006)  Black (RAL 9005)

Output Current / Module Wattage / System Wattage:	LED Module: Citizen CLU038-1206 6-Gen – COB luminous flux:					Power: 300mA – 900mA	
	CRI 80+ 3 000K	CRI 80+ 4 000K	CRI 80+ 5 000K	CRI 90+ 2 700K Below BBL	CRI 90+ 3 000K Below BBL	CRI 90+ 3 500K Below BBL	CRI 90+ 4 000K
450mA / 15W / 17W	2 425Lm	2 500Lm	2 525Lm	1 900Lm	1 975Lm	2 000Lm	2 125Lm
650mA / 23W / 25W	3 350Lm	3 450Lm	3 475Lm	2 625Lm	2 725Lm	2 750Lm	2 925Lm
900mA / 32W / 35W	4 300Lm	4 425Lm	4 475Lm	3 375Lm	3 500Lm	3 550Lm	3 750Lm



**IP20**

LED Design | Made In Finland

**LIVAL**