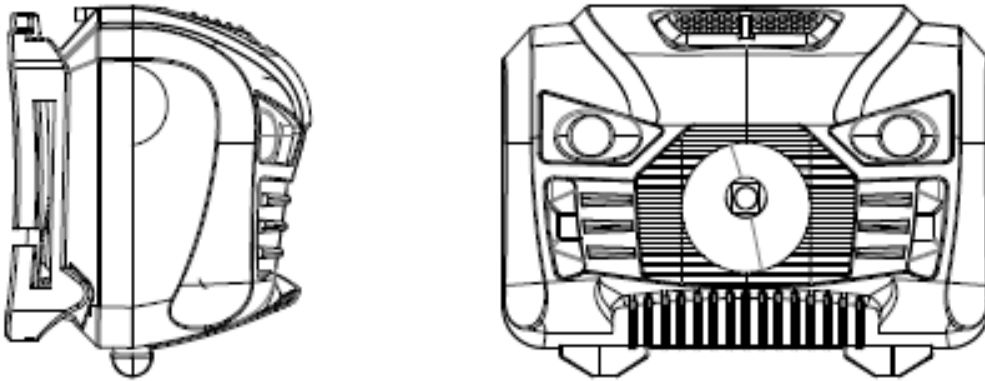


GP Batteries

Product Specifications

Model no.: CH34



Product Name	: Handsfree Motion Sensor Headlamp
Lumen output*	: Cool white LED: 160lm / 48lm (+/- 15%) Red LED: 0.7lm (+/- 15%)
Beam Distance*	: Max 90m (+/- 15%)
Runtime	: Cool white LED: 160lm: 3 hours / 48lm: 20 hours Red LED: 44 hours
Battery type	: 3 x AAA
LED chip	: CREE LED
IP rate*	: IPX4
Shock proof*	: Impact resistant, 1m
Dimensions	: 60 x 45 x 35 mm
Weight	: 56.9 g (without batteries), 93 g (with batteries)
Accessories Included	: 3 x AAA Batteries
Certification	: CE, ROHS