



MASTER VALUE LEDs pot LV

MAS LED spot VLE D 7-50W MR16 830 36D

Philips MASTER VALUE MR16 is the series of Low Voltage (12VAC) Halogen MR16 replacements. Not only does it employ Philips' patented solution to guarantee the broadest possible compatibility with standard 12V Halogen electronic transformers. It also delivers beam intensity which is equivalent to the 50W Philips Halogen MR16 lamps. The form-factor of Philips MASTER Value LED MR16 guarantees a 100% form on the back-side of the lamp (exact form with Halogen lamps.)

Product data

General Information		Luminous Flux in 90° Cone (Rated)	
Cap-Base	GU5.3 [GU5.3]		630 lm
Nominal Lifetime (Nom)	25000 h	Operating and Electrical	
Switching Cycle	50000X	Power (Rated) (Nom)	7 W
Technical Type	7-50W	Lamp Current (Nom)	760 mA
Light Technical		Wattage Equivalent	50 W
Color Code	830 [CCT of 3000K]	Starting Time (Nom)	0.5 s
Beam Angle (Nom)	36 °	Warm Up Time to 60% Light (Nom)	0.5 s
Luminous Flux (Nom)	630 lm	Power Factor (Nom)	0.8
Luminous Flux (Rated) (Nom)	630 lm	Voltage (Nom)	ac Electronic 12 V
Luminous Intensity (Nom)	1700 cd	Temperature	
Color Designation	White (WH)	T-Case Maximum (Nom)	105 °C
Rated Beam Angle	36 °	Controls and Dimming	
Correlated Color Temperature (Nom)	3000 K	Dimmable	Yes
Luminous Efficacy (rated) (Nom)	90.00 lm/W	Approval and Application	
Color Consistency	<6	Energy Efficiency Label (EEL)	A+
Color Rendering Index (Nom)	80		
LLMF At End Of Nominal Lifetime (Nom)	70 %		

MASTER VALUE LEDspot LV

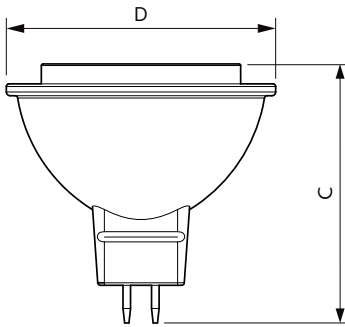
Suitable For Accent Lighting	Yes
Energy Consumption kWh/1000 h	8 kWh
Product Data	
Full product code	871869670837800
Order product name	MAS LED spot VLE D 7-50W MR16 830 36D
EAN/UPC - Product	8718696708378

Order code	929001326602
Numerator - Quantity Per Pack	1
Numerator - Packs per outer box	10
Material Nr. (12NC)	929001326602
Net Weight (Piece)	0.045 kg

Warnings and Safety

- Operating temperature range is between -20° C and 45° C ambient
- Only to apply in dry or damp locations and most of open fixtures with lamp-holders that offer sufficient space (10 mm free air space)
- Not intended for use with emergency light fixtures or exit lights

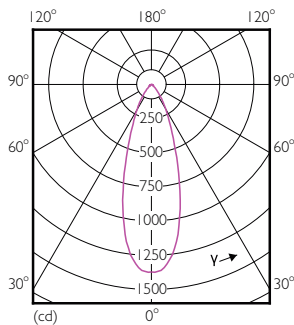
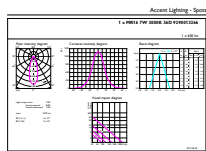
Dimensional drawing



MR16 12V 7.5W-50W 36D 3000K GU5.3 D

Product	D	C
MAS LED spot VLE D 7-50W MR16 830 36D	50.5 mm	49.5 mm

Photometric data

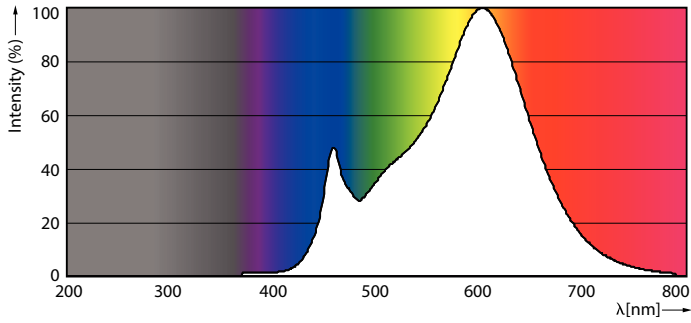


MAS VLE LEDspotLV 50W GU5-3 830 36D MR16

MAS VLE LEDspotLV 50W GU5-3 830 36D MR16

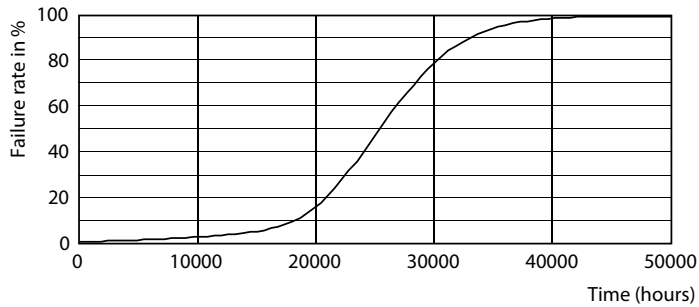
MASTER VALUE LEDspot LV

Photometric data

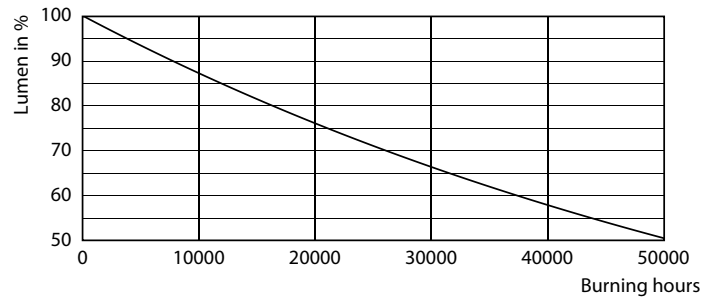


MAS VLE LEDspotLV 35W GU5-3 830 36D MR16

Lifetime



MAS VLE LEDspotLV 35W GU5-3 827 36D MR16



MAS VLE LEDspotLV 35W GU5-3 827 36D MR16

