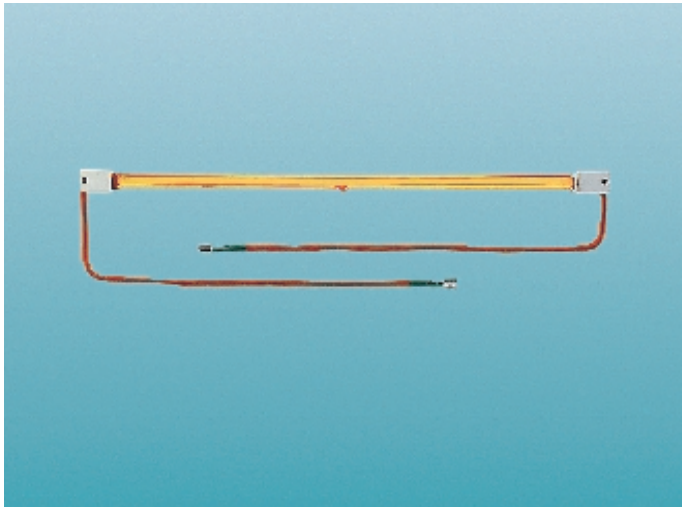


Infrared heat lamps



SK15 cap



X-cap

Halogen HeLeN for glare reduction

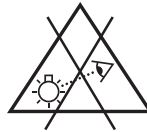
These tubular quartz infrared lamps are high-powered heat sources incorporating a tungsten filament within a quartz envelope. The lamps are of the halogen type, which avoids blackening of the tube and consequently infrared depreciation during lifetime.

Infrared HeLeN glare reduction lamps have a coating to reduce the visible glare, improve the colour rendering and raise the infrared output compared to existing zone heating lamps. They are highly economical, converting practically all the consumed electrical power into heat. The improvement (W/m^2) is over 10-30 % compared to conventional ruby sleeve and neutral density infrared lamps in existing luminaires. These lamps feature a substantially lower visible glare level even than ruby and neutral density zone heating lamps.

They have a narrower diameter (cf. ruby sleeve) for better optical systems and better colour rendering/less red colour appearance than ruby sleeve. Heat transfer is not affected by draughts or air movement and is noise-free. There is no by-product of combustion or movement of air or dust, thus giving a cleaner environment, and no oxygen is consumed, so no extra ventilation required. Infrared HeLeN glare reduction lamps comply fully with the IEC standards.

Applications

- Zone heating in: factories, sports halls, exhibition halls, work areas, churches, large halls, warehouses, storage areas, garages, terraces, greenhouses, open air applications, stadiums, camp sites, de-icing, etc.
- Process heating in: paint drying, etc.



Prolonged looking at the lamp during operation may result in damage to the eye.

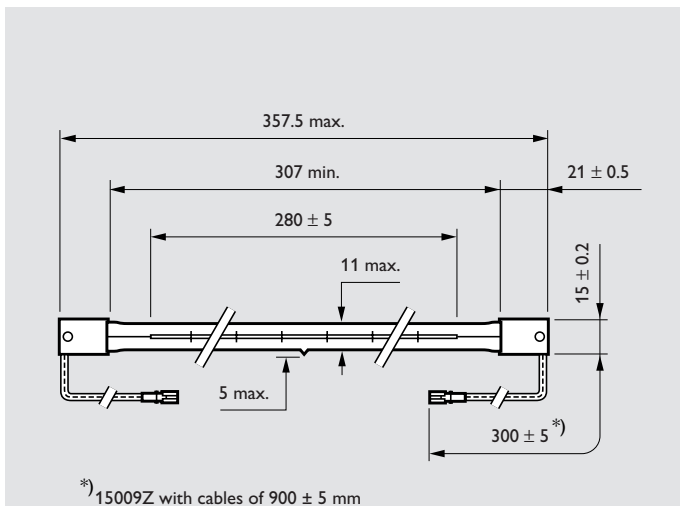


Fig. 1

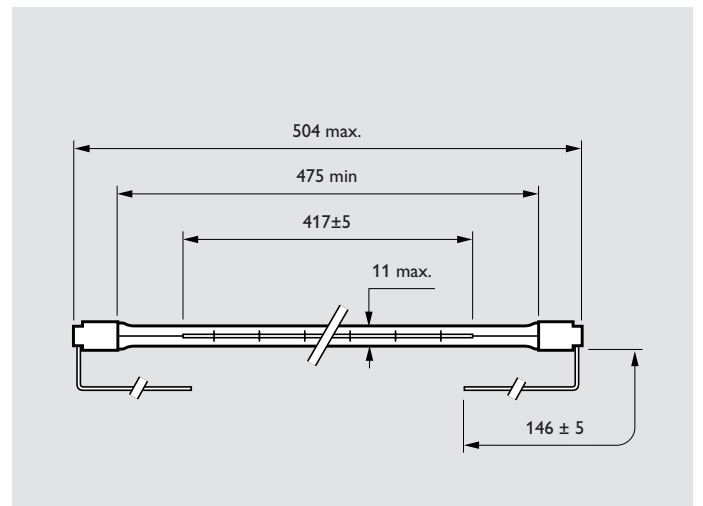


Fig. 2



Infrared heat lamps

Infrared HeLeN for glare reduction

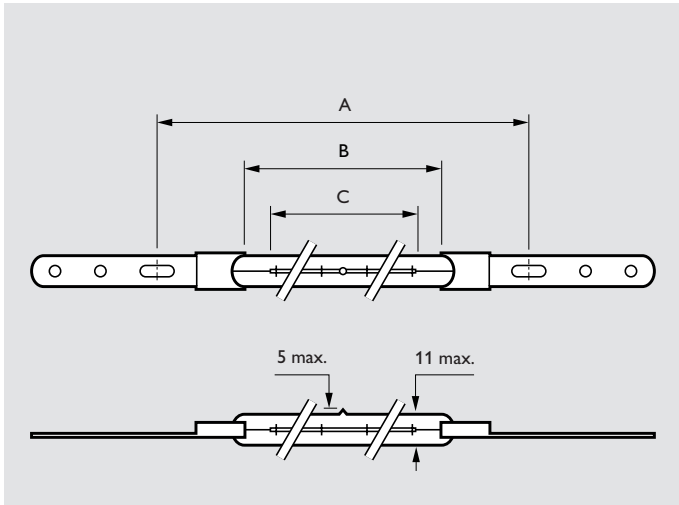


Fig. 3 Dimensions in mm

Type	A	B min.	C
15013X	508±10	435	410±5
15004X/15005X/15008X	370±10	295	280±5

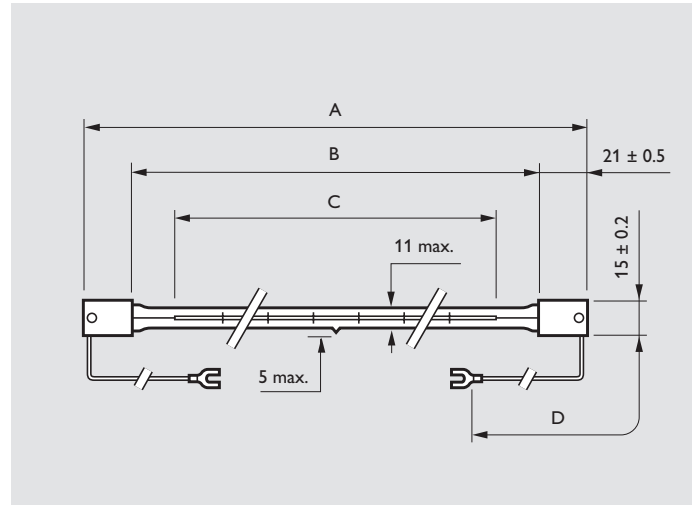
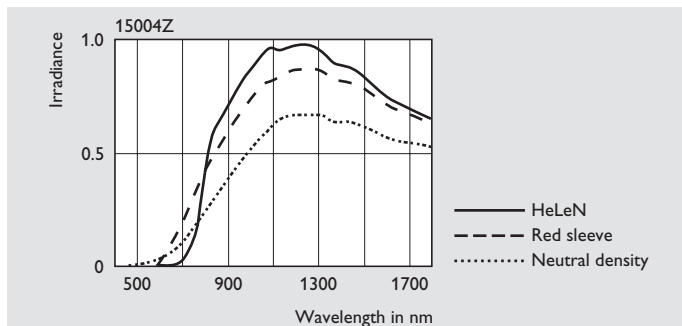


Fig. 4

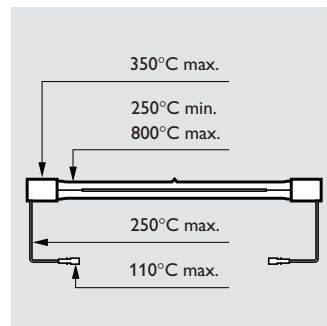
Type	A max.	B	C	D
15015Z	357.5	310±3	280	300
15010Z	357.5	310±3	280	300

Type	Wattage W	Voltage V	Fig.	Max. overall length (mm)	Heating length mm	Cap/ base	Burning position	Lamp life 50% h	Ordering number	EOC
15016Z	500W	235V	1	357.5	280	SK15	P15	7000	9245 350 44900	498472
15024Z	1000W	120V	1	357.5	280	SK15	P15	7000	9245 453 36300	519368
15007Z	1000W	235V	1	357.5	280	SK15	P15	7000	9245 242 45500	496119
15015Z	1500W	120V	4	357.5	280	SK15	P15	7000	9245 338 31900	498243
15004Z	1500W	235V	1	357.5	280	SK15	P15	7000	9245 231 45500	056078
15010Z	1500W	235V	4	357.5	280	SK15	P15	7000	9245 297 45500	496409
15005Z	2000W	235V	1	357.5	280	SK15	P15	7000	9245 244 45500	496126
15013X	2000W	400V	3	508	410	X	P15	5000	9245 311 49100	497451
15008X	1000W	235V	3	370	280	X	UNIVERSAL	5000	9245 273 44500	496133
15009Z	1000W	235V	1	357.5	280	SK15	UNIVERSAL	5000	9245 274 44900	496140
15021Z	2000W	235V	1	357.5	280	SK15	UNIVERSAL	5000	9245 443 44900	519061
15012U	3000W	235V	2	504	417	U	UNIVERSAL	5000	9245 310 45500	497444

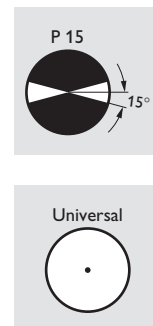
Note: 235V lamps are suitable for 230-240V supplies



Spectral emission curve



Permissible temperatures



Burning positions

Prolonged storage in high moisture warehouse may result in lamp depreciation

