



GUELL ZERO - 1 - 2 - 3

LED floodlights



NEW

PERFORMANCE
iN LIGHTING

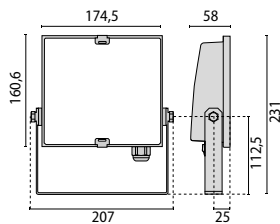
GUELL ZERO



- LED floodlight for indoor and outdoor lighting, comprising:
- Die-cast aluminium housing chemically pre-treated and painted with polyester powder coat
 - Flat tempered glass diffuser
 - Diffuser permanently sealed to the housing through a high temperature resistant silicone glue
 - Extra pure polished aluminium reflectors
 - Stainless steel external screws
 - Stainless steel locking springs for the glass
 - Powder coated steel bracket
 - Complete with 1 metre of cable H05RN-F 3G1 mm²
 - Versions of GUELL ZERO KIT are complete with 0.5 m arm with integrated connection box, suitable for cascade connection
 - Passive infra-red motion sensor



IP 44 IP 66	IK06 1,4J xxx3	CE	CLASS I	OK	0,1m	650 °C	IR	SYMMETRICAL LIGHT EMISSION	ASYMMETRICAL LIGHT EMISSION	IR INFRARED MOTION SENSOR
LED	E									94 80



Lamps

n.1 LED - 15 W - 9 W

LAMPHOLDER	POWER	ILCOS	LBS	COLOUR/ RAL	CLASS	KELVIN	COS Ø ≥ 0,9	EEL	OPTIC	OPTIC BEAM	NOMINAL LUMEN OUTPUT	REAL LUMEN OUTPUT	LIFETIME	L	°C	CODE	NOTES
------------	-------	-------	-----	----------------	-------	--------	----------------	-----	-------	---------------	-------------------------	----------------------	----------	---	----	------	-------

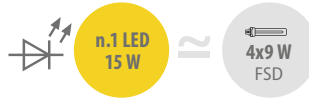
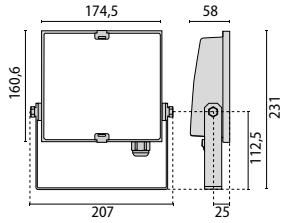
GUELL ZERO S/M

POWER LED 220/240 V 50/60 HZ

-	n.1 LED - 15 W	-	-	94	I	4000	-	S/M	-	1416 lm	866 lm	150000 h	L70	-		06115394	
-	n.1 LED - 15 W	-	-	94	I	5000	-	S/M	-	1657 lm	996 lm	150000 h	L70	-		06115494	
-	n.1 LED - 9 W	-	-	94	I	4000	-	S/M	-	898 lm	620 lm	150000 h	L70	-		06115194	
-	n.1 LED - 9 W	-	-	94	I	5000	-	S/M	-	1052 lm	714 lm	150000 h	L70	-		06115294	

IP 66





Lamps
n.1 LED - 15 W - 9 W

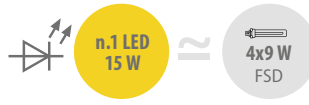
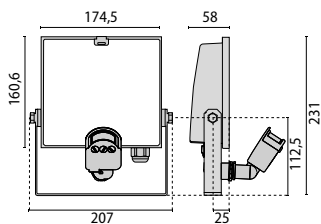
LAMPHOLDER	POWER	ILCOS	LBS	COLOUR/ RAL	CLASS	KELVIN	COS ϕ $\geq 0,9$	EEI	OPTIC	OPTIC BEAM	NOMINAL LUMEN OUTPUT	REAL LUMEN OUTPUT	LIFETIME	L	°C	CODE	NOTES
------------	-------	-------	-----	----------------	-------	--------	--------------------------	-----	-------	---------------	-------------------------	----------------------	----------	---	----	------	-------

GUELL ZERO A/W

POWER LED 220/240 V 50/60 HZ

-	n.1 LED - 15 W	-	-	94	I	4000	-	-	A30/W	-	1416 lm	855 lm	150000 h	L70	-	06115794	
-	n.1 LED - 15 W	-	-	94	I	5000	-	-	A30/W	-	1657 lm	983 lm	150000 h	L70	-	06115894	
-	n.1 LED - 9 W	-	-	94	I	4000	-	-	A30/W	-	898 lm	635 lm	150000 h	L70	-	06115594	
-	n.1 LED - 9 W	-	-	94	I	5000	-	-	A30/W	-	1052 lm	724 lm	150000 h	L70	-	06115694	

IP 66



Lamps
n.1 LED - 15 W

LAMPHOLDER	POWER	ILCOS	LBS	COLOUR/ RAL	CLASS	KELVIN	COS ϕ $\geq 0,9$	EEI	OPTIC	OPTIC BEAM	NOMINAL LUMEN OUTPUT	REAL LUMEN OUTPUT	LIFETIME	L	°C	CODE	NOTES
------------	-------	-------	-----	----------------	-------	--------	--------------------------	-----	-------	---------------	-------------------------	----------------------	----------	---	----	------	-------

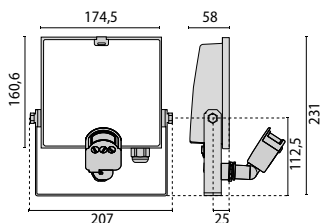
GUELL ZERO DETEK S/M

POWER LED 220/240 V 50/60 HZ

-	n.1 LED - 15 W	-	-	94	I	4000	-	-	S/M	-	1416 lm	855 lm	150000 h	L70	-	06120094	
---	----------------	---	---	----	---	------	---	---	-----	---	---------	--------	----------	-----	---	-----------------	--



IP 44



Lamps
n.1 LED - 15 W

LAMPHOLDER	POWER	ILCOS	LBS	COLOUR/ RAL	CLASS	KELVIN	COS ϕ $\geq 0,9$	EEI	OPTIC	OPTIC BEAM	NOMINAL LUMEN OUTPUT	REAL LUMEN OUTPUT	LIFETIME	L	°C	CODE	NOTES
------------	-------	-------	-----	----------------	-------	--------	--------------------------	-----	-------	---------------	-------------------------	----------------------	----------	---	----	------	-------

GUELL ZERO DETEK A/W

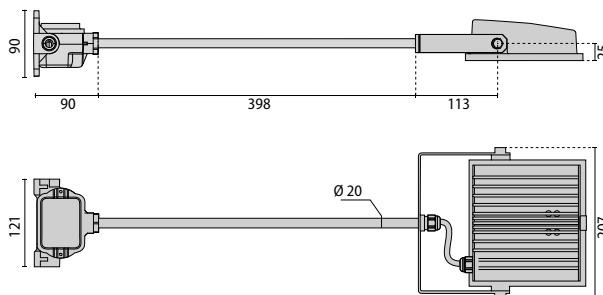
POWER LED 220/240 V 50/60 HZ

-	n.1 LED - 15 W	-	-	94	I	4000	-	-	A30/W	-	1416 lm	855 lm	150000 h	L70	-	06120194	
---	----------------	---	---	----	---	------	---	---	-------	---	---------	--------	----------	-----	---	-----------------	--



IP 44





Lamps

n.1 LED - 15 W

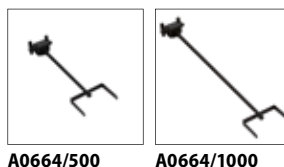
LAMPHOLDER	POWER	ILCOS	LBS	COLOUR/ RAL	CLASS	KELVIN	COS Φ $\geq 0,9$	EEL	OPTIC	OPTIC BEAM	NOMINAL LUMEN OUTPUT	REAL LUMEN OUTPUT	LIFETIME	L	°C	CODE	NOTES
GUPELL ZERO KIT S/M																	
POWER LED 220/240 V 50/60 HZ																	
-	n.1 LED - 15 W	-	-	80	I	4000	-	S/M	-	-	1416 lm	855 lm	150000 h	L70	-	06124980	
-	n.1 LED - 15 W	-	-	80	I	5000	-	S/M	-	-	1657 lm	983 lm	150000 h	L70	-	06125080	

IP 66



ACCESSORIES

DESCRIPTION	COLOUR	CODE
A0664/500-80 500 mm arm completes with connection base GUPELL ZERO	80	14453380
A0664/1000-80 1000 mm arm completes with connection base GUPELL ZERO	80	14453480



GUPELL ZERO	 0,028 m ²	 0,01 m ²	 2 x M8 14x8 (2x) 25 65 192	 Min 100 mm Min 100 mm	 Max 150° Max 150°	GUPELL ZERO DETEK Max 45° Max 45°
 max 1,3 kg	 0,01 m ²			 Min 100 mm		
GUPELL ZERO KIT	 0,0483 m ²	 0,0226 m ²	 N°4 Ø 6,5 70 100	 Min 100 mm Min 100 mm		 Ø 8,5÷10,5
 max 2,5 kg	 0,0116 m ²			 Min 100 mm		 H05RN-F 3G1,5÷2,5 3x4 mm ²

GUELL 1

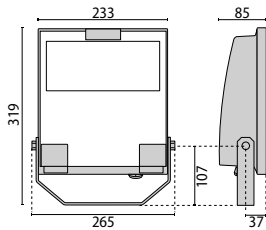


LED floodlight for indoor and outdoor lighting, comprising:

- Die-cast aluminium housing chemically pre-treated and painted with polyester powder coat
- Flat tempered glass diffuser
- Very high performance reflectors made of 99.99% plated aluminium, polished, oxidised and free of iridescence
- Anti-aging silicone gasket
- Cable gland M20x1.5 for cables Ø 10- Ø 14 mm
- Stainless steel external screws
- Fully integrated stainless steel aluminium spring clips
- Powder coated steel bracket
- Dimmable ballast on request
- Passive infra-red motion sensor



IP 44 IP 66	IK07 3J xx5	CE	CLASS I	OK	0,1 m	650 °C	SYMMETRICAL LIGHT EMISSION	ASYMMETRICAL LIGHT EMISSION	IR INFRARED MOTION SENSOR	94
LED	E									



Lamps
N.1 LED - 26 W - 39 W - 58 W

LAMPHOLDER	POWER	ILCOS	LBS	COLOUR/ RAL	CLASS	KELVIN	COS Φ ≥ 0,9	EEL	OPTIC	OPTIC BEAM	NOMINAL LUMEN OUTPUT	REAL LUMEN OUTPUT	LIFETIME	L	°C	CODE	NOTES
------------	-------	-------	-----	----------------	-------	--------	----------------	-----	-------	---------------	-------------------------	----------------------	----------	---	----	------	-------

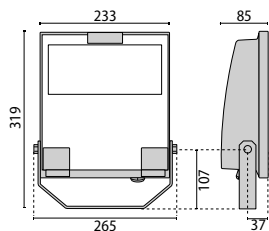
GUELL 1 S/W

POWER LED 220/240 V 50/60 HZ

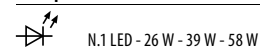
-	n.1 LED - 26 W	-	-	94	I	3000	•	-	S/W	-	2961 lm	2151 lm	150000 h	L70	-	06106494	
-	n.1 LED - 26 W	-	-	94	I	5000	•	-	S/W	-	3625 lm	2789 lm	150000 h	L70	-	06105994	
-	n.1 LED - 26 W	-	-	94	I	4000	•	-	S/W	-	3093 lm	2352 lm	150000 h	L70	-	06106094	
-	n.1 LED - 39 W	-	-	94	I	3000	•	-	S/W	-	4639 lm	3487 lm	150000 h	L70	-	06105894	
-	n.1 LED - 39 W	-	-	94	I	5000	•	-	S/W	-	5688 lm	4194 lm	150000 h	L70	-	06105694	
-	n.1 LED - 39 W	-	-	94	I	4000	•	-	S/W	-	4859 lm	3601 lm	150000 h	L70	-	06105794	
-	n.1 LED - 58 W	-	-	94	I	3000	•	-	S/W	-	6610 lm	4603 lm	150000 h	L70	-	06105594	
-	n.1 LED - 58 W	-	-	94	I	5000	•	-	S/W	-	8108 lm	5991 lm	150000 h	L70	-	06105394	
-	n.1 LED - 58 W	-	-	94	I	4000	•	-	S/W	-	6917 lm	4795 lm	150000 h	L70	-	06105494	

IP 66





Lamps



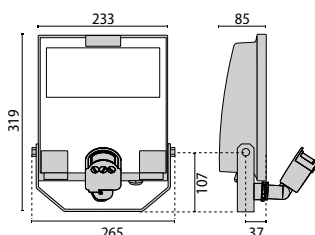
LAMPHOLDER	POWER	ILCOS	LBS	COLOUR/ RAL	CLASS	KELVIN	COS Φ $\geq 0,9$	EEL	OPTIC	OPTIC BEAM	NOMINAL LUMEN OUTPUT	REAL LUMEN OUTPUT	LIFETIME	L	°C	CODE	NOTES
------------	-------	-------	-----	----------------	-------	--------	--------------------------	-----	-------	---------------	-------------------------	----------------------	----------	---	----	------	-------

GUELL 1 A/W

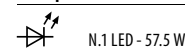
POWER LED 220/240 V 50/60 HZ

-	n.1 LED - 26 W	-	-	94	I	3000	•	-	A40/W		2961 lm	2153 lm	150000 h	L70	-	06107994	
-	n.1 LED - 26 W	-	-	94	I	5000	•	-	A40/W		3625 lm	2690 lm	150000 h	L70	-	06107794	
-	n.1 LED - 26 W	-	-	94	I	4000	•	-	A40/W		3093 lm	2319 lm	150000 h	L70	-	06107894	
-	n.1 LED - 39 W	-	-	94	I	3000	•	-	A40/W		4639 lm	3382 lm	150000 h	L70	-	06107094	
-	n.1 LED - 39 W	-	-	94	I	5000	•	-	A40/W		5688 lm	4050 lm	150000 h	L70	-	06106894	
-	n.1 LED - 39 W	-	-	94	I	4000	•	-	A40/W		4859 lm	3522 lm	150000 h	L70	-	06106994	
-	n.1 LED - 58 W	-	-	94	I	3000	•	-	A40/W		6610 lm	4522 lm	150000 h	L70	-	06106794	
-	n.1 LED - 58 W	-	-	94	I	5000	•	-	A40/W		8108 lm	5905 lm	150000 h	L70	-	06106594	
-	n.1 LED - 58 W	-	-	94	I	4000	•	-	A40/W		6917 lm	4544 lm	150000 h	L70	-	06106694	

IP 66



Lamps



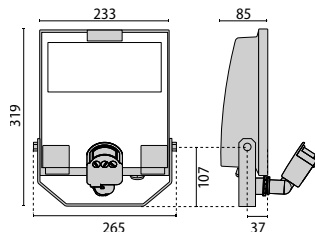
LAMPHOLDER	POWER	ILCOS	LBS	COLOUR/ RAL	CLASS	KELVIN	COS Φ $\geq 0,9$	EEL	OPTIC	OPTIC BEAM	NOMINAL LUMEN OUTPUT	REAL LUMEN OUTPUT	LIFETIME	L	°C	CODE	NOTES
------------	-------	-------	-----	----------------	-------	--------	--------------------------	-----	-------	---------------	-------------------------	----------------------	----------	---	----	------	-------

GUELL 1 DETEK S/W

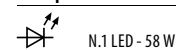
POWER LED 220/240 V 50/60 HZ

-	n.1 LED - 57,5 W	-	-	94	I	4000	•	-	S/W		6917 lm	4795 lm	150000 h	L70	-	06119994	
---	------------------	---	---	----	---	------	---	---	-----	--	---------	---------	----------	-----	---	-----------------	--

IP 44



Lamps



LAMPHOLDER	POWER	ILCOS	LBS	COLOUR/ RAL	CLASS	KELVIN	COS Φ $\geq 0,9$	EEL	OPTIC	OPTIC BEAM	NOMINAL LUMEN OUTPUT	REAL LUMEN OUTPUT	LIFETIME	L	°C	CODE	NOTES
------------	-------	-------	-----	----------------	-------	--------	--------------------------	-----	-------	---------------	-------------------------	----------------------	----------	---	----	------	-------

GUELL 1 DETEK A/W

POWER LED 220/240 V 50/60 HZ

-	n.1 LED - 58 W	-	-	94	I	4000	•	-	A40/W		6917 lm	4544 lm	150000 h	L70	-	06114894	
---	----------------	---	---	----	---	------	---	---	-------	--	---------	---------	----------	-----	---	-----------------	--

IP 44




ACCESSORIES

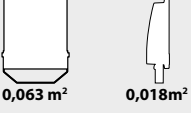


A0650 **A0651** **A0652** **A0653** **A0654/500** **A0654/1000** **A0661** **A0668/1** **A0668/2**

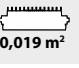
DESCRIPTION	COLOUR	CODE
A0650 Protective grid GUELL 1	-	14172902
A0651 Louvre GUELL 1 Symmetrical	-	14173020
A0652 Louvre GUELL 1 Asymmetrical	-	14173120
A0653 Soft glass GUELL 1	94	14173294
A0654/500-94 Wall support 500 mm GUELL 1/2	94	14173394
A0654/1000-94 Wall support 1000 mm GUELL 1/2	94	14173494
A0661 Connection box IP 66	-	14174220
A0668/1-94 Single pole top support GUELL 1	94	14453194
A0668/2-94 Double pole top support GUELL 1	94	14453294



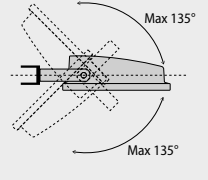
max 2,4 kg



0,063 m² 0,018 m²



0,019 m²

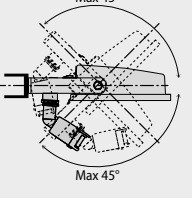


Max 135°

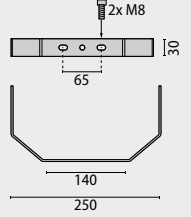
Max 135°

GUELL 1 DETEK

Max 45°



Max 45°



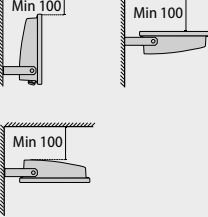
2x M8

30

65

140

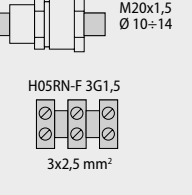
250



Min 100

Min 100

Min 100

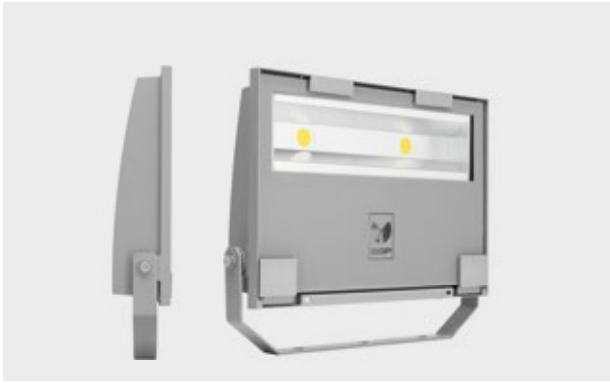


M20x1,5
Ø 10-14

H05RN-F 3G1,5

3x2,5 mm²

GUELL 2



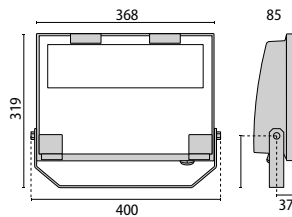
LED floodlight for indoor and outdoor lighting, comprising:

- Die-cast aluminium housing chemically pre-treated and painted with polyester powder coat
- Flat tempered glass diffuser
- Very high performance reflectors made of 99.99% plated aluminium, polished, oxidised and free of iridescence
- Anti-aging silicone gasket
- Cable gland M20x1.5 for cables Ø 10-Ø 14 mm
- Stainless steel external screws
- Fully integrated stainless steel

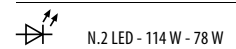
- aluminium spring clips
- Powder coated steel bracket
- Dimmable ballast on request



IP 66	IK07 3J xx5	CE	CLASS I	OK	0,1 m	650 °C	SYMMETRICAL LIGHT EMISSION	ASYMMETRICAL LIGHT EMISSION	LED
E									94



Lamps



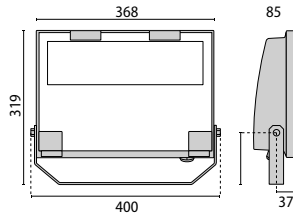
LAMPHOLDER	POWER	ILCOS	LBS	COLOUR/ RAL	CLASS	KELVIN	COS Ø	EEI	OPTIC	OPTIC BEAM	NOMINAL LUMEN OUTPUT	REAL LUMEN OUTPUT	LIFETIME	L	°C	CODE	NOTES
------------	-------	-------	-----	-------------	-------	--------	-------	-----	-------	------------	----------------------	-------------------	----------	---	----	------	-------

GUELL 2 S/W

POWER LED 220/240 V 50/60 HZ

-	n.2 LED - 114 W	-	-	94	I	5000	•	-	S/W	-	16216 lm	11025 lm	130000 h	L70	-	06093994	
-	n.2 LED - 114 W	-	-	94	I	4000	•	-	S/W	-	13834 lm	9383 lm	130000 h	L70	-	06094094	
-	n.2 LED - 114 W	-	-	94	I	3000	•	-	S/W	-	13220 lm	8853 lm	130000 h	L70	-	06104894	
-	n.2 LED - 78 W	-	-	94	I	3000	•	-	S/W	-	9278 lm	7055 lm	150000 h	L70	-	06104994	
-	n.2 LED - 78 W	-	-	94	I	5000	•	-	S/W	-	11376 lm	7960 lm	150000 h	L70	-	06094194	
-	n.2 LED - 78 W	-	-	94	I	4000	•	-	S/W	-	9718 lm	7557 lm	150000 h	L70	-	06094294	





Lamps
N.2 LED - 114 W - 78 W

LAMPHOLDER	POWER	ILCOS	LBS	COLOUR/ RAL	CLASS	KELVIN	COS φ ≥ 0,9	EEL	OPTIC	OPTIC BEAM	NOMINAL LUMEN OUTPUT	REAL LUMEN OUTPUT	LIFETIME	L	°C	CODE	NOTES
------------	-------	-------	-----	----------------	-------	--------	----------------	-----	-------	---------------	-------------------------	----------------------	----------	---	----	------	-------

GUELL 2 A/W

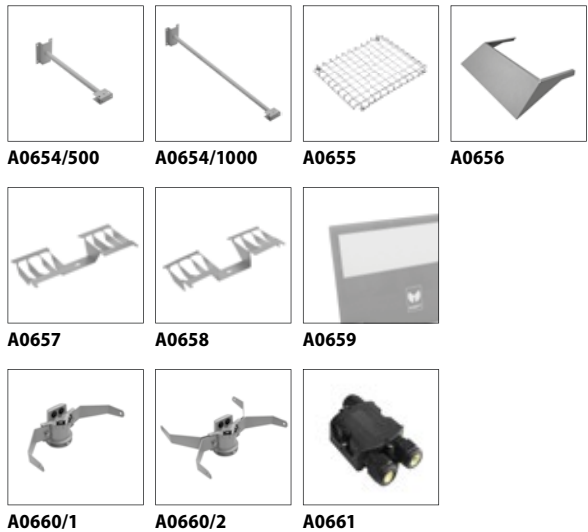
POWER LED 220/240 V 50/60 HZ

-	n.2 LED - 114 W	-	-	94	I	5000	•	-	A40/W		16216 lm	10848 lm	130000 h	L70	-	06094394	
-	n.2 LED - 114 W	-	-	94	I	4000	•	-	A40/W		13834 lm	8934 lm	130000 h	L70	-	06094494	
-	n.2 LED - 114 W	-	-	94	I	3000	•	-	A40/W		13220 lm	8359 lm	130000 h	L70	-	06105094	
-	n.2 LED - 78 W	-	-	94	I	3000	•	-	A40/W		9278 lm	6938 lm	150000 h	L70	-	06105194	
-	n.2 LED - 78 W	-	-	94	I	5000	•	-	A40/W		11376 lm	7645 lm	150000 h	L70	-	06094594	
-	n.2 LED - 78 W	-	-	94	I	4000	•	-	A40/W		9718 lm	7224 lm	150000 h	L70	-	06094694	



ACCESSORIES

DESCRIPTION	COLOUR	CODE
A0655		
A0654/500-94 Wall support 500 mm GUELL 1/2	94	14173394
A0654/1000-94 Wall support 1000 mm GUELL 1/2	94	14173494
A0655 Protective grid GUELL 2	-	14173502
A0656-94 Cover GUELL 2 Asymmetrical (Imax 60)	94	14173694
A0657 Louvre GUELL 2 Symmetrical	-	14173720
A0658 Louvre GUELL 2 Asymmetrical	-	14173820
A0659-94 Soft glass GUELL 2	94	14173994
A0660/1-94 Single pole top support GUELL 2	94	14174094
A0660/2-94 Double pole top support GUELL 2	94	14174194
A0661 Connection box IP 66	-	14174220



max 3,6 kg

0,100 m²

0,018 m²

0,030 m²

2x M8

200

275

285

Min 100

Min 100

Min 100

Max 135°

Max 135°

M20x1,5
Ø 10-14

H05RN-F 3G1,5

3x2,5 mm²

GUELL 3



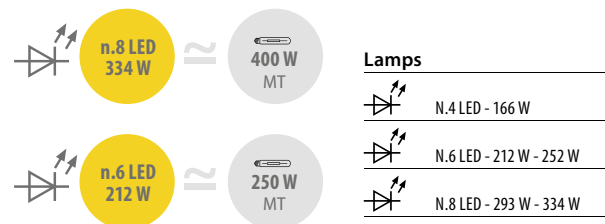
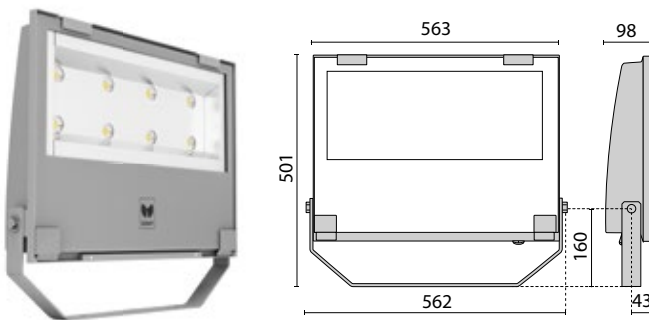
LED floodlight for indoor and outdoor lighting, comprising:

- Die-cast aluminium housing chemically pre-treated and painted with polyester powder coat
- Flat tempered glass diffuser
- Very high performance reflectors made of 99.99% plated aluminium, polished, oxidised and free of iridescence
- Anti-aging silicone gasket
- Cable gland M20x1.5 for cables Ø 10- Ø 14 mm
- Stainless steel external screws

- Fully integrated stainless steel aluminium spring clips
- Powder coated steel bracket
- Dimmable ballast on request



IP 66	IK07 3J xx5	CE	CLASS I	OK	1 m	650 °C	SYMMETRICAL LIGHT EMISSION	ASYMMETRICAL LIGHT EMISSION	1-10 V
LED	E								94



LAMPHOLDER	POWER	ILCOS	LBS	COLOUR/ RAL	CLASS	KELVIN	COS Ø ≥ 0,9	EEL	OPTIC	OPTIC BEAM	NOMINAL LUMEN OUTPUT	REAL LUMEN OUTPUT	LIFETIME	L	°C	CODE	NOTES
------------	-------	-------	-----	-------------	-------	--------	-------------	-----	-------	------------	----------------------	-------------------	----------	---	----	------	-------

GUELL 3 S/W

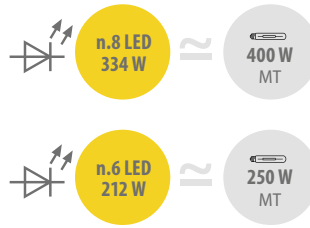
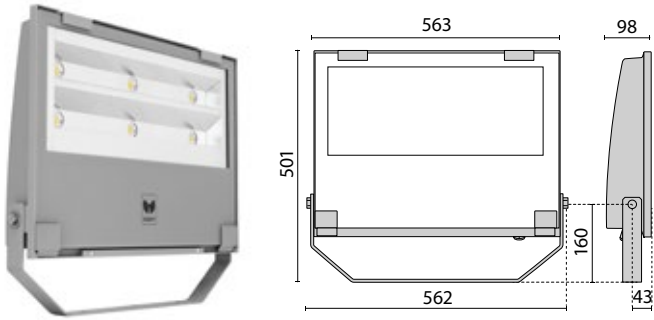
POWER LED 220/240 V 50/60 HZ

-	n.6 LED - 212 W	-	-	94	I	4000	•	-	S/W	-	23400 lm	17311 lm	130000 h	L70	-	06121294	
-	n.6 LED - 212 W	-	-	94	I	5000	•	-	S/W	-	24600 lm	17277 lm	130000 h	L70	-	06121394	
-	n.8 LED - 293 W	-	-	94	I	4000	•	-	S/W	-	31200 lm	23240 lm	130000 h	L70	-	06118794	
-	n.8 LED - 293 W	-	-	94	I	5000	•	-	S/W	-	32800 lm	22742 lm	130000 h	L70	-	06118894	

POWER LED DIMMABLE 1-10 V 220/240 V 50/60 HZ

-	n.4 LED - 166 W	-	-	94	I	4000	•	-	S/W	-	16692 lm	12991 lm	130000 h	L70	-	06116794	
-	n.4 LED - 166 W	-	-	94	I	5000	•	-	S/W	-	17548 lm	13109 lm	130000 h	L70	-	06116894	
-	n.6 LED - 252 W	-	-	94	I	4000	•	-	S/W	-	25038 lm	19513 lm	130000 h	L70	-	06116394	
-	n.6 LED - 252 W	-	-	94	I	5000	•	-	S/W	-	26322 lm	19431 lm	130000 h	L70	-	06116494	
-	n.8 LED - 334 W	-	-	94	I	4000	•	-	S/W	-	33384 lm	24721 lm	130000 h	L70	-	06115994	
-	n.8 LED - 334 W	-	-	94	I	5000	•	-	S/W	-	35096 lm	24690 lm	130000 h	L70	-	06116094	





Lamps	
	N.4 LED - 166 W
	N.6 LED - 212 W - 252 W
	N.8 LED - 293 W - 334 W

LAMPHOLDER	POWER	ILCOS	LBS	COLOUR/ RAL	CLASS	KELVIN	COS φ ≥ 0,9	EEL	OPTIC	OPTIC BEAM	NOMINAL LUMEN OUTPUT	REAL LUMEN OUTPUT	LIFETIME	L	°C	CODE	NOTES
------------	-------	-------	-----	----------------	-------	--------	----------------	-----	-------	---------------	-------------------------	----------------------	----------	---	----	------	-------

GUELL 3 A/W

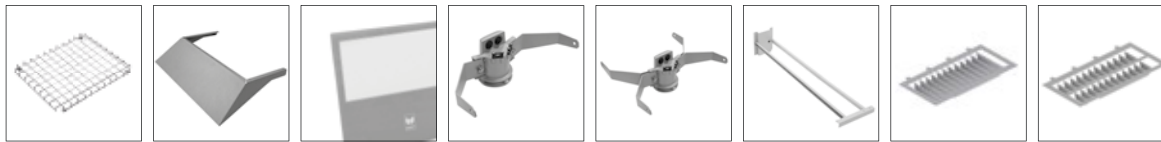
POWER LED 220/240 V 50/60 HZ

-	n.6 LED - 212 W	-	-	94	I	4000	•	-	A40/W		23400 lm	16720 lm	130000 h	L70	-	06121494	
-	n.6 LED - 212 W	-	-	94	I	5000	•	-	A40/W		24600 lm	16686 lm	130000 h	L70	-	06121594	
-	n.8 LED - 293 W	-	-	94	I	4000	•	-	A40/W		31200 lm	21521 lm	130000 h	L70	-	06118994	
-	n.8 LED - 293 W	-	-	94	I	5000	•	-	A40/W		32800 lm	21335 lm	130000 h	L70	-	06119094	

POWER LED DIMMABLE 1-10 V 220/240 V 50/60 HZ

-	n.4 LED - 166 W	-	-	94	I	4000	•	-	A40/W		16692 lm	12414 lm	130000 h	L70	-	06116994	
-	n.4 LED - 166 W	-	-	94	I	5000	•	-	A40/W		17548 lm	12526 lm	130000 h	L70	-	06117094	
-	n.6 LED - 252 W	-	-	94	I	4000	•	-	A40/W		25038 lm	18490 lm	130000 h	L70	-	06116594	
-	n.6 LED - 252 W	-	-	94	I	5000	•	-	A40/W		23622 lm	18622 lm	130000 h	L70	-	06116694	
-	n.8 LED - 334 W	-	-	94	I	4000	•	-	A40/W		33384 lm	22897 lm	130000 h	L70	-	06116194	
-	n.8 LED - 334 W	-	-	94	I	5000	•	-	A40/W		35096 lm	23098 lm	130000 h	L70	-	06116294	

ACCESSORIES



DESCRIPTION	COLOUR	CODE
A0665 Protective grid GUELL 3	-	14452702
A0666-94 Cover GUELL 3 (Imax 55)	94	14452894
A0667-94 Frosted glass GUELL 3	94	14452994
A0671/1-94 Single pole top support GUELL3 for poles Ø 76 mm	94	14453794
A0671/2-94 Double pole top support GUELL 3 for poles Ø 76 mm	94	14453894

DESCRIPTION	COLOUR	CODE
A0672/1000 Wall mount support 1000 mm GUELL 3	94	14453994
A0673/S Louvre GUELL 3 Symmetrical	-	14454220
A0674/A Louvre GUELL 3 Asymmetrical	-	14454520

max 12 kg

0,207m²

0,049 m²

0,032 m²



GUELL ZERO

GUELL 1

GUELL 2

GUELL 3



SBP® and SBP URBAN LIGHTING® are brands of
PERFORMANCE IN LIGHTING s.p.a.
via Provinciale, 57 - 24050 Ghisalba (BG) - Italia
info@sbp-pil.com
www.sbp-pil.com
www.urban-pil.com
www.performanceinlighting.com

EXPORT DEPARTMENT
Tel. +39 0363 94 06 22
Fax +39 0363 94 06 99
euroexport@sbp-pil.com
worldexport@sbp-pil.com

UK - Performance in Lighting (UK) Limited
Imex Spaces Business Centre
Oxleasow Road, East Moons Moat
Redditch
Worcestershire B98 0RE
Tel. +44 (0) 1527 830439
Fax +44 (0) 1527 830440
info1@pil-uk.com